

## Housing screw connection - SACC-M12 NUT PRESS - 1437889

Please be informed that the data shown in this PDF Document is generated from our Online Catalog. Please find the complete data in the user's documentation. Our General Terms of Use for Downloads are valid (<http://phoenixcontact.com/download>)




Housing screw connection for two-piece M12 connectors for the reflow soldering process.

### Your advantages

- ✓ Easy device integration, thanks to mechanical port screw connections with press-in contour
- ✓ Flexible PCB assembly: two-piece connectors for wave and THR soldering



### Key Commercial Data

Packing unit	1 pc
Minimum order quantity	10 pc
GTIN	 4 046356 457552
GTIN	4046356457552
Weight per Piece (excluding packing)	10.000 g
Custom tariff number	74199990
Country of origin	Germany

### Technical data

#### Ambient conditions

Ambient temperature (operation)	-25 °C ... 105 °C (Plug / socket)
	-40 °C ... 105 °C (without mechanical actuation)
	-25 °C ... 105 °C (Plug / socket)
Degree of protection	IP67 (correctly plugged in and locked)

#### General

Standards/regulations	M12 connector IEC 61076-2-101
-----------------------	-------------------------------

# Housing screw connection - SACC-M12 NUT PRESS - 1437889

## Technical data

### General

Mounting type	M12 x 1
Thread type	M12 x 1

### Material

Material	CuZn (nickel-plated)
Sealing material	EPDM (O-ring)

### Cable

Standards/specifications	M12 connector IEC 61076-2-101
--------------------------	-------------------------------

### Standards and Regulations

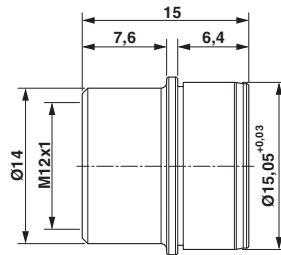
Standards/specifications	M12 connector IEC 61076-2-101
--------------------------	-------------------------------

### Environmental Product Compliance

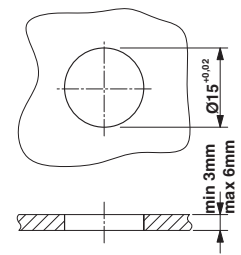
REACH SVHC	Lead 7439-92-1
China RoHS	Environmentally Friendly Use Period = 50 years
	For details about hazardous substances go to tab "Downloads", Category "Manufacturer's declaration"

## Drawings

Dimensional drawing



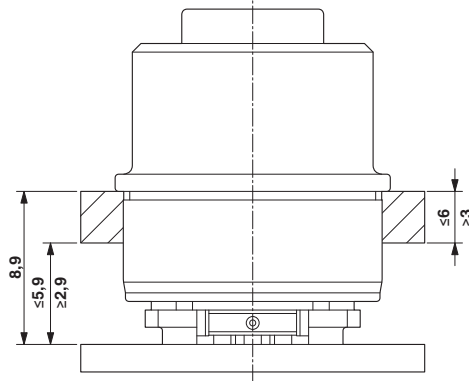
Dimensional drawing



Housing bore holes

## Housing screw connection - SACC-M12 NUT PRESS - 1437889

Dimensional drawing



### Classifications

#### eCl@ss

eCl@ss 10.0.1	27440102
eCl@ss 11.0	27440102
eCl@ss 4.0	27140800
eCl@ss 4.1	27140800
eCl@ss 5.0	27143400
eCl@ss 5.1	27143400
eCl@ss 6.0	27279200
eCl@ss 7.0	27440103
eCl@ss 9.0	27440102

#### ETIM

ETIM 3.0	EC002061
ETIM 4.0	EC002061
ETIM 6.0	EC002061

#### UNSPSC

UNSPSC 6.01	31251501
UNSPSC 7.0901	31251501
UNSPSC 11	31251501
UNSPSC 12.01	31251501
UNSPSC 13.2	39121413
UNSPSC 18.0	39121413
UNSPSC 19.0	39121413
UNSPSC 20.0	39121413
UNSPSC 21.0	39121413

## Housing screw connection - SACC-M12 NUT PRESS - 1437889

### Approvals

Approvals

---

Approvals


EAC

---

Ex Approvals

---

### Approval details

EAC		B.01687
-----	---	---------

---